



Model: CSAC-006-B- _1- _2- _3- _4

Descript

Single stage air-cooled portable fluid chiller system. Chiller pump indicated on table is typical with options available for different capacity.

CAPACITY		6,000 BTU /HR					
COMPRESSOR / REFRIGERANT		HERMETIC RECIPROCATING / R134A					
CONDENSER FANS / AIRFLOW		1 / 3147 CFM					
CONDENSER COILS TYPE		ALUMINUM MICROCHANNEL					
EVAPORATOR TYPE		STAINLESS STEEL / COPPER BRAZED					
FLUID CONNECTIONS		1" MNPT (IN/OUT)					
ELECTRICAL:	V - Ø - HZ	COMP RLA / LRA	FAN FLA	PUMP FLA	MCA	MOCP	
- 4	120 - 1 - 60	12.5	46	3	12.2	36.1	45
- 2	230 - 1 - 60	4.8	20	3	5.5	14.6	20
- 5	230 - 3 - 60	9.5	38	3	3.2	18	25
CHILLER PUMP HP / OUTPUT		3/4 HP / 10 GPM @ 30 PSI					
TANK SIZE / CONSTRUCTION		7 GALLON / POLYETHYLENE					
DIMENSIONS		38.4" L x 27.9" W x 43.4" H					
WEIGHT (APPROX.)		300 LBS					

STANDARD FEATURES:

- **Controls:** Electronic temperature controller with constant Set Point & Process Value temperature readout.
- **Refrigeration Components** Efficient reciprocating compressors, sight glass/moisture indicators, balanced port thermal expansion valves, filter driers, service valves and/or service ports, condenser fan(s) are electronically commutated motors. (ECM)
- **Fluid Components:** Bronze "Y" strainers with 20 mesh stainless steel screen. Pumps are stainless steel centrifugal. All fluid components insulated. Vented tank includes lid, level sight tube and a fill and drain port. Portable systems will include a manually operated bypass valve.
- **Safety Controls:** High and low refrigerant pressures, high and low fluid temperatures, evaporator freeze condition, low water flow switch, thermal overloads for compressors, and thermal overloads for fan motors, and current/thermal overload motor starter safety for pumps.
- **Construction:** Welded steel powder coated frame and full metal cabinet, copper piping connections.
- **Warranty:** One-year parts / five-year compressor.

SUITABLE AMBIENT CONDITIONS/FEATURES: (see footnote 3)

- **IND:** Indoor use only. Casters on frame, optional
- **40:** Suitable for outdoor use with an ambient of 40°F ambient.
- **0:** Suitable for outdoor use to 0°F ambient.
- **M20:** Suitable for outdoor use to -20°F

Notes:

- System capacity indicated on table is the approximate BTU/hr based on a leaving fluid temperature of 50°F with an ambient air temperature of 95°F.
- All specifications subject to change without notice. Specify voltage and ambient condition upon ordering.
- MCA: Minimum circuit amps per UL 1995. MOCP: Maximum overcurrent protective device per UL 1995.
- Pump outputs based on specific point on the pump curve which varies depending on system

¹ Flow Design (_=Portable, ST=Stationary, RF=Reverse Flow, EXCH=Extra Heat Exchanger, DP=Dual Pump, DR=Dual Return)

² Leaving Fluid Temperature (_=Standard, LT=Low Temperature-specify lowest temperature in °F)

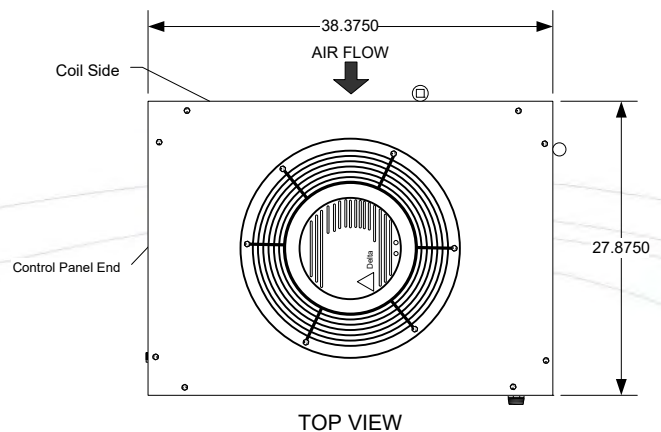
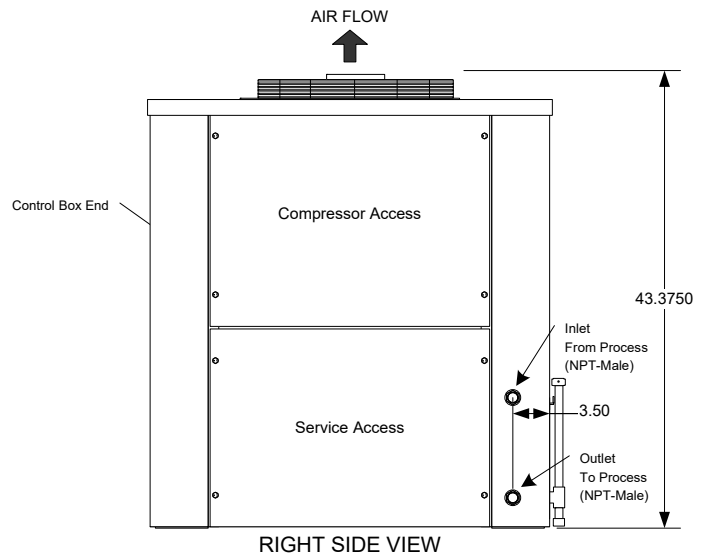
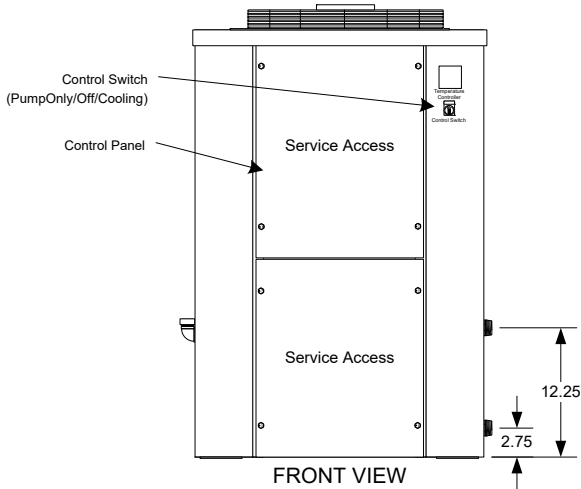
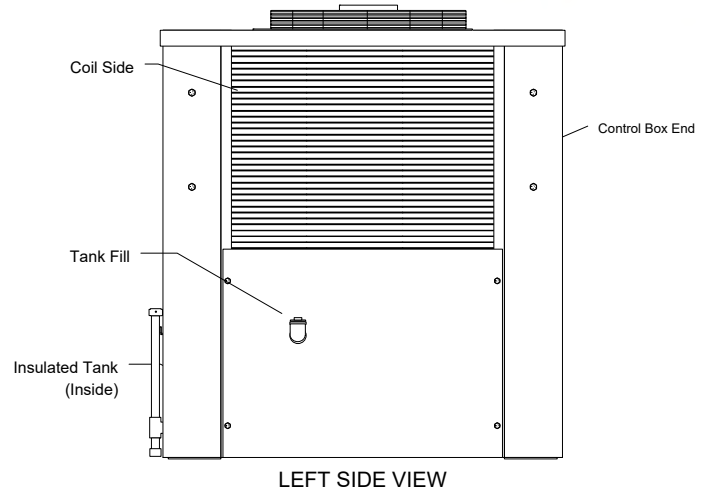
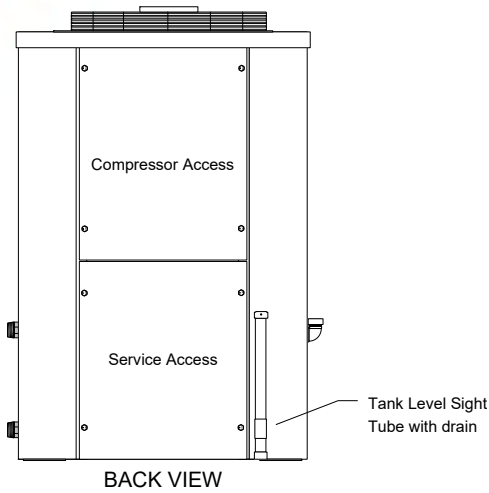
³ Ambient Temperature Conditions (see above)

⁴ Electrical Power Code (see above)



TECHNICAL SPECIFICATION

WWW.WATERCHILLERS.COM



NOTES

- Unit should be installed with at least 2' clearance on all sides and a minimum of 5' clear air space above the unit
- Dimensions are approximate. (inches)
- Casters (Optional)
- All specifications subject to change without notice.

COLD SHOT CHILLERS

DRAWN ENGINEERING

ISSUED 10/25/2022

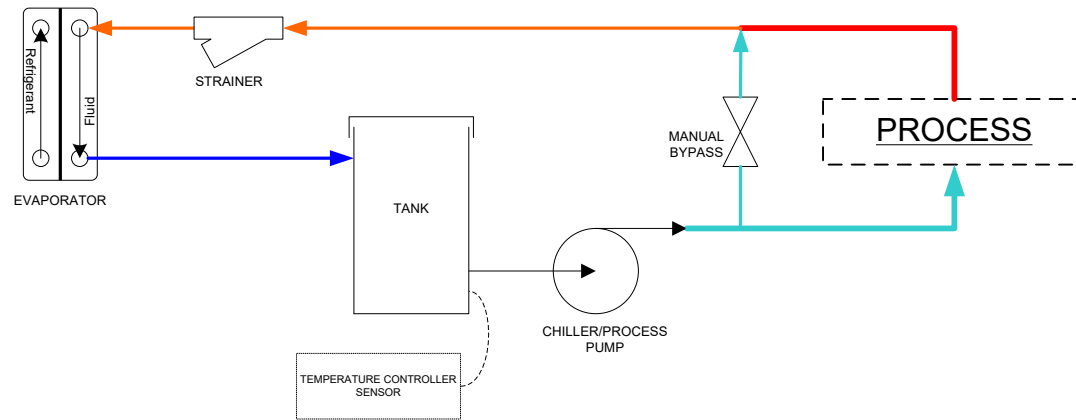
SIZE	DIMENSION NOTES
A	Dimensions are in inches Unless otherwise specified, +/-1/4"

DWG NO	REV
INSTALLATION DRAWING CSAC-003 to 012-_- (Typical)	1

SCALE NONE DWG-INST_CSAC-003 to 012-_-1022.vsd SHEET 1 / Front-Back-Top-Side



STANDARD/PORTABLE/PACKAGE (-)



Line Guide

- COLD CHILLED FLUID
- HOT FLUID
- COLD FLUID
- WARM FLUID

NOTES

- All designs are subject to change without notice.
- The diagrams are to be used as a basic flow diagram only.
- Color Code is for relative temperature comparison.
- Additional components may be included.
- Evaporator may be located in tank.

COLD SHOT CHILLERS

DRAWN ENGINEERING

ISSUED 5/2020

SIZE A

SCALE NONE

DESCRIPTION
Typical FLOW OPTIONS for Chiller Circuits

REV 1

DWG-CKT_ChillerCircuitFlowOptions-Typical_(0520).vsd

SHEET 1 / Standard/Portable