



Model: ACWC-300-GC-ST<sup>1</sup>-\_\_2-\_\_3-\_\_4

**Description:**

Two stage air-cooled water chiller system. System capacity indicated on table is the approximate BTU/hr based on a leaving fluid temperature of 50°F with an ambient air temperature of 95°F.

CAPACITY ±5% AT 50° LCWT / 95°F AMBIENT		300,000 BTU /HR			
COMPRESSOR / REFRIGERANT		TANDEM HERMETIC SCROLLS / R410A			
CONDENSER FANS / AIRFLOW		2 / 20,900 CFM			
CONDENSER COILS TYPE		MICROCHANNEL			
EVAPORATOR TYPE		STAINLESS STEEL / COPPER BRAZED			
FLUID CONNECTIONS		2" MNPT (IN/OUT)			
ELECTRICAL:	V - Ø - HZ	COMP RLA / LRA (ea)	FAN FLA (ea)	MCA	MOCP
- 5	230 - 3 - 60	48.1	245	6.6	121.4
- 6	460 - 3 - 60	18.6	125	3.3	48.4
DIMENSIONS		88 ¼" L x 40 ¾" W x 61" H			
WEIGHT (APPROX.)		1200 LBS			

Note: All specifications subject to change without notice. Specify voltage and ambient condition upon ordering.  
MCA: Minimum circuit amps per UL 1995. MOCP: Maximum overcurrent protective device per UL 1995.

**STANDARD FEATURES:**

- **Controls:** Electronic programmed temperature controller with constant (set point & process) temperature readout.
- **Refrigeration Components:** Efficient scroll compressors, sight glass/moisture indicators, balanced port expansion valves, filter drier, pump down valves, fan cycling head pressure controls.
- **Process Fluid Components:** Bronze "Y" strainer with 20 mesh stainless steel screen.
- **Safety Controls:** High and low refrigerant pressure, high and low fluid temperature, freeze, low water flow, internal overloads, thermal overload circuit breakers and/or safety fuses for compressors and fan motors, temperature relief fusible plug on liquid lines of each circuit.
- **Construction:** Galvanized steel frame, powder coated carbon steel cabinet, copper piping connections.
- **Warranty:** One year parts / five year compressor.

**SUITABLE AMBIENT CONDITIONS/FEATURES:**

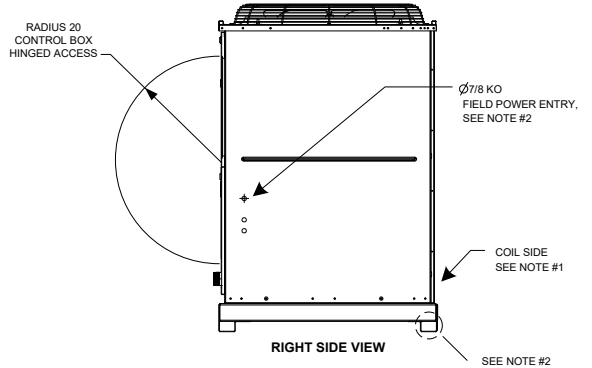
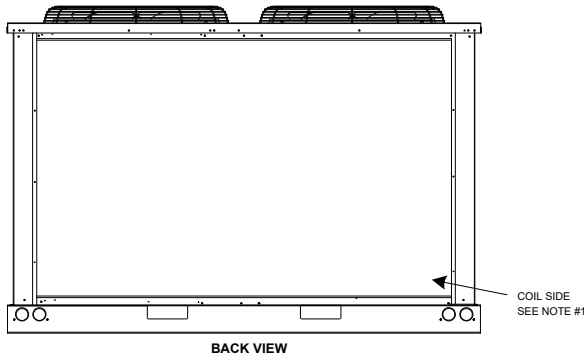
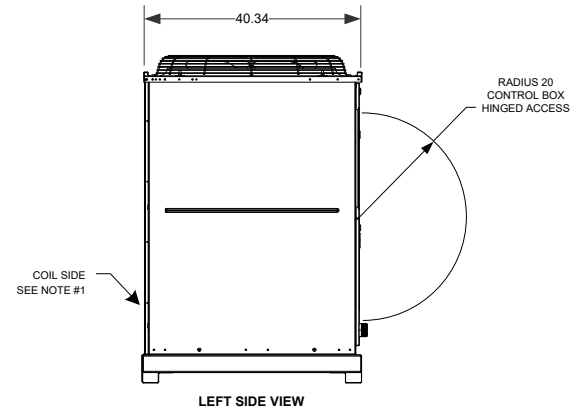
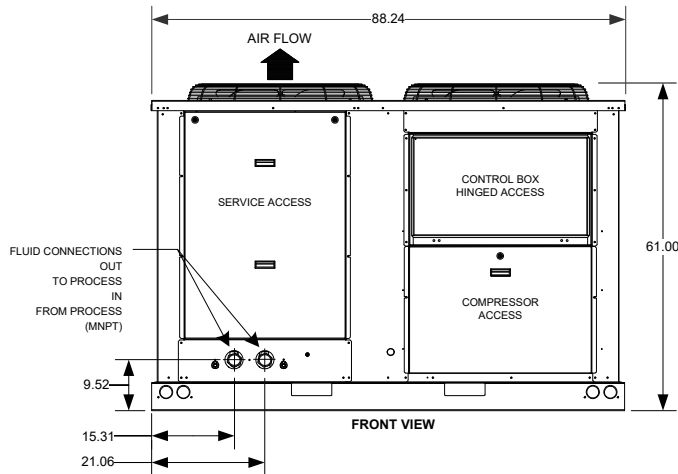
- **IND:** Indoor use only.
- **40:** Suitable for outdoor use with an ambient of 40°F ambient.
- **0:** Suitable for outdoor use to 0°F ambient. Includes low ambient fan speed controls with (LT) models.
- **M20:** Suitable for outdoor use to -20°F ambient. Includes low ambient fan speed controls. External wind baffles, optional.

<sup>1</sup> Flow Design (\_\_=Portable, ST=Stationary, RF=Reverse Flow, EXCH=Extra Heat Exchanger, DP=Dual Pump, DR=Dual Return)

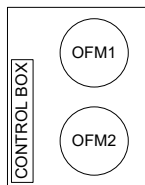
<sup>2</sup> Leaving Fluid Temperature (\_\_=Standard, LT=Low Temperature-specify lowest temperature in °F)

<sup>3</sup> Ambient Temperature Conditions (see above)

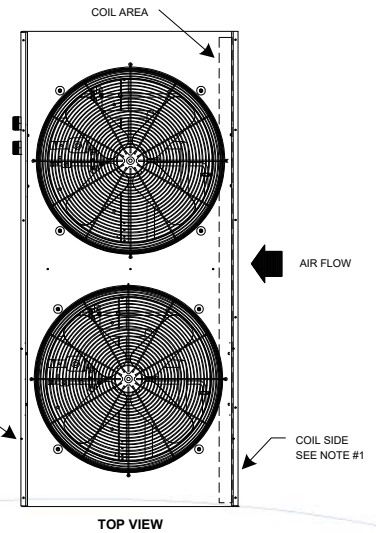
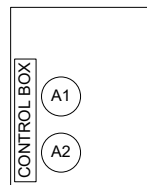
<sup>4</sup> Electrical Power Code (see above)



Outdoor Fan Layout Top View



Compressor Layout Single Circuit - Top View



NOTES:

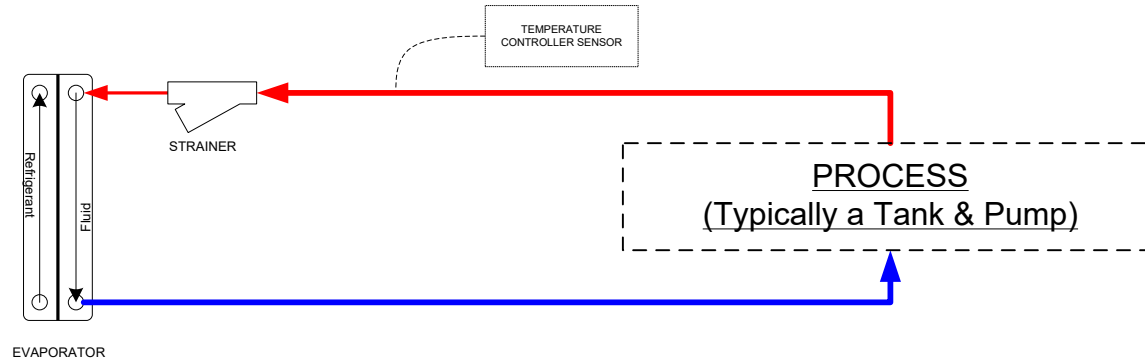
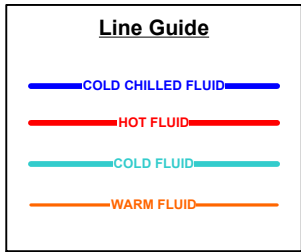
- Unit must have clearances for air flow/service access as follows: (air must be directed away from machine to prevent re-circulating air back into machine coil sides.)  
Top — Do not restrict.  
Coil End — 42 in. from solid surface for airflow.  
Panel Side — 48 in. per NEC (National Electrical Code).
- Mounting holes (17/32" Diameter) may be used to mount unit to concrete pad. They are not recommended for mounting unit to spring isolators.
- A 7/8 in. diameter hole is provided for locating field power wiring. Actual hole size required depends on field wire sizing.
- Temperature relief device located on suction line, liquid line of each circuit are equipped with a 1/4" flare field connection. Do not cap or otherwise obstruct temperature relief device.
- All chilled fluid piping should be insulated.
- Dimensions are in inches unless otherwise specified.
- Unit can be handled using the fork truck lift pockets.
- Design and layout may change depending on parts or manufacturing without notice.
- Contact Cold Shot Chillers for details or other information.

COLD SHOT CHILLERS

DRAWN ENGINEERING		SIZE A	DIMENSION NOTES Dimensions are in inches unless otherwise specified. +/-1/4"	DWG NO <b>INSTALLATION DRAWING</b> <b>ACWC-300-GC (Typical - Front-Back-Top-Sides)</b>	REV 1
ISSUED	11/18/2021	SCALE	NONE	DWG-INST_-300-GC-ST--_(0520).vsd	SHEET 1



**STATIONARY (ST)**



**NOTES**

- All designs are subject to change without notice.
- The diagrams are to be used as a basic flow diagram only.
- Color Code is for relative temperature comparison.
- Additional components may be included.
- Evaporator may be located in tank.

**COLD SHOT CHILLERS**

DRAWN ENGINEERING

SIZE A

DESCRIPTION  
**Typical FLOW OPTIONS for Chiller Circuits**

REV 1

ISSUED 5/2020

SCALE NONE

DWG-CKT\_ChillerCircuitFlowOptions-Typical\_(0520).vsd

SHEET 5 / Stationary (ST)